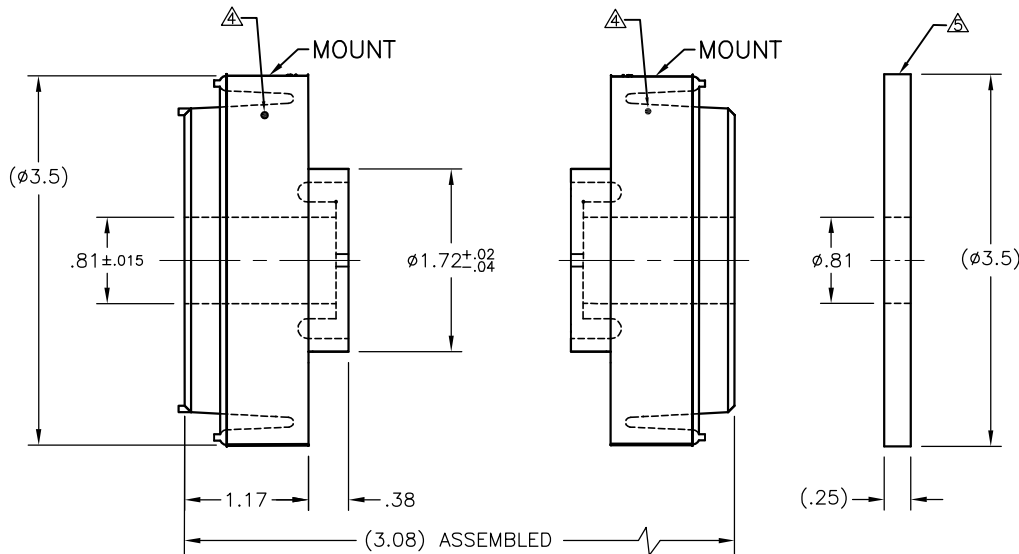


111R-103542 REV.: 2

REV.	DESCRIPTION	DATE	BY

PART NUMBER	MODEL	COLOR CODE	MATERIAL	AXIAL STATIC RATED LOAD POUNDS
111A-100929-01	SB4-525	BLUE	NEOPRENE	525
111A-100929-02	SB4-625	BROWN	NEOPRENE	625
111A-100929-03	SB4-725	RED	NEOPRENE	725
111A-100929-04	SB4-825	GREEN	NEOPRENE	825
111A-100929-05	SB4-1025	GRAY	NEOPRENE	1025
111A-100929-06	SB4-1325	PURPLE	NEOPRENE	1325
111A-100929-11	SB-525WR	LIGHT BLUE	DURULENE	525
111A-100929-12	SB-625WR	DARK BROWN	DURULENE	625
111A-100929-13	SB-725WR	RUST RED	DURULENE	725
111A-100929-14	SB-825WR	LIGHT GREEN	DURULENE	825
111A-100929-15	SB-1025WR	CHARCOAL GRAY	DURULENE	1025
111A-100929-16	SB-1325WR	PURPLE	DURULENE	1325



NOTES;

- MOLDED RUBBER AND STEEL MOUNT FOR FAIL SAFE INDUSTRIAL AND COMMERCIAL APPLICATIONS WHEN PROPERLY INSTALLED. MOUNT CONSIST OF TWO IDENTICAL BUSHINGS.
- INSTALL IN A  $\phi 1.75"$  MIN. HOLE THRU A  $.75"$  THK MOUNTING PLATE
- DESIGNED FOR USE WITH A  $\phi 3/4"$  BOLT, TIGHTENED TO A MAXIMUM OF 6000 IN-LB TORQUE.
- COLOR CODE INDICATES MODEL AND LOAD RATING PER TABLE. FOR BLACK NEOPRENE MODELS COLOR CODE IS REPRESENTED AS A DOT LOCATED AS ILLUSTRATED. DURULENE MODEL COLOR CODE IS SOLID COLOR NO DOT IS REQUIRED.
- ZINC PLATED SNUBBING WASHER P/N 148099-23 INCLUDED UNLESS SPECIFICALLY ORDERED OTHERWISE.
- DIMENSIONS IN ( ) ARE FOR REFERENCE ONLY.

OTHER MATERIALS, COMPOUNDS, OR FINISHES WITH EQUAL OR SUPERIOR PROPERTIES MAY BE SUBSTITUTED AS THEY BECOME AVAILABLE.

**CERTIFIED FOR:**

JOB NAME: \_\_\_\_\_  
 CUSTOMER : \_\_\_\_\_  
 CUSTOMER P.O.: \_\_\_\_\_  
 SALES ORDER: \_\_\_\_\_

**MODEL SB4 525-1325 LBS.  
 ELASTOMERIC INTERNALLY SNUBBED  
 ISOLATOR**



**THE VMC GROUP**  
*The Power of Together*  
 Bloomingdale, NJ 07403  
 Houston, TX 77041

SCALE :

NONE

SHEET:



DRAWING NO.:

REVISION